

# ELMICH GRT

## Modular Greenroof Trays, sold a la carte

A modular greenroof is made up of a series of trays, which hold engineered soil and plants. The greenroof can go directly on existing roofs, assuming necessary support exists, without retrofit and the associated costs. It provides the important elements associated with green roofs, including storm water retention, insulation, and membrane protection.



- Available for 4" extensive and 8" intensive applications
- Manufactured with 60% post-industrial recycled HDPE material - most durable, non-cracking or splitting
- Raised drain holes at corners and along channels allow for 3/4" of storm water retention
- Typical saturated weight of 4" system - 15 lbs. per square foot
- Design assistance available as required.



### Advantages of Modular Greenroof Systems:

- Easier roof repair & maintenance
- Quick & easy installation
- Easier green roof maintenance
- May be retrofitted to existing roof
- Pre-engineered components
- Lightweight
- May be pre-planted and pre-grown – a mature roof planted without waiting.

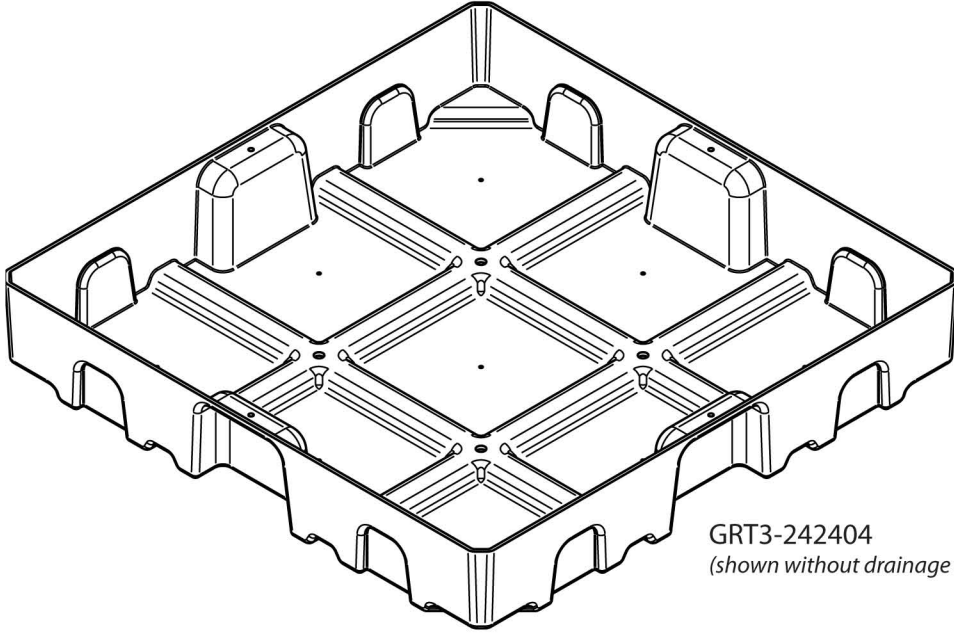


ecoarbordesigns.com  
888.335.8453



## Green Roof Trays

Part No.	Material	Size	Description
GRT3-242404	HDPE	24" x 24" x 4"D	Extensive GRT greenroof tray, no flanges, rotational molded construction
GRT2-242404	HDPE	24" x 24" x 4"D	Extensive GRT greenroof tray, no flanges, thermoformed construction
GRT2-482404	HDPE	48" x 24" x 4"D	Extensive GRT greenroof tray, no flanges, thermoformed construction
GRT2-242408	HDPE	24" x 24" x 8"D	Extensive GRT greenroof tray, no flanges, thermoformed construction
GRT2-482408	HDPE	48" x 24" x 8"D	Extensive GRT greenroof tray, no flanges, thermoformed construction



GRT3-242404  
(shown without drainage fabric)



ecoarbordesigns.com  
888.335.8453



# ELMICH Hanging Wall System

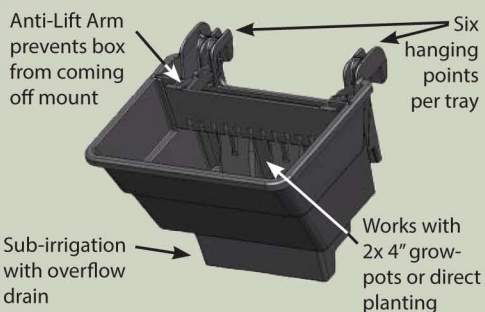
*Versatile, Easy-to-Install Planting System for Interior and Exterior Use*

Few living wall systems offer the versatility of the VGP hanging wall. At the heart of the system is the VGP planting tray. Made of 100% recycled polypropylene, it fits either two plants in 4" nursery pots for interior applications, or a direct planted pot for the exteriors. It can be hung on the VGP recycled mounting panel, standard 2" x 3" welded mesh, or along rods or steel rope. Each tray incorporates an anti-lift arm to prevent removal, but requires no other bolts or clips. The trays can be hung at 6" or 9" vertical intervals, depending on the plant size and the project budget.

The VGP is designed with a sub-irrigation reservoir using simple felt wicking, and incorporates an overflow drain that can be direct plumbed or cascade to a central drainage point. Drip irrigation and fertilizer dosing is recommended, but not required.



- Range of mounting options allows for living walls at a variety of price points
- Water-efficient sub-irrigation reservoir means healthy, low maintenance plants
- Interior and exterior solution for applications large and small
- Both tray and molded support panel are 100% post-consumer recycled plastic



Planting tray mounts to plastic support panel, wire mesh, wire rope or rods



ecoarbordesigns.com  
888.335.8453



# ELMICH VGM<sup>®</sup>

*A modular living wall system designed for the life of the building*

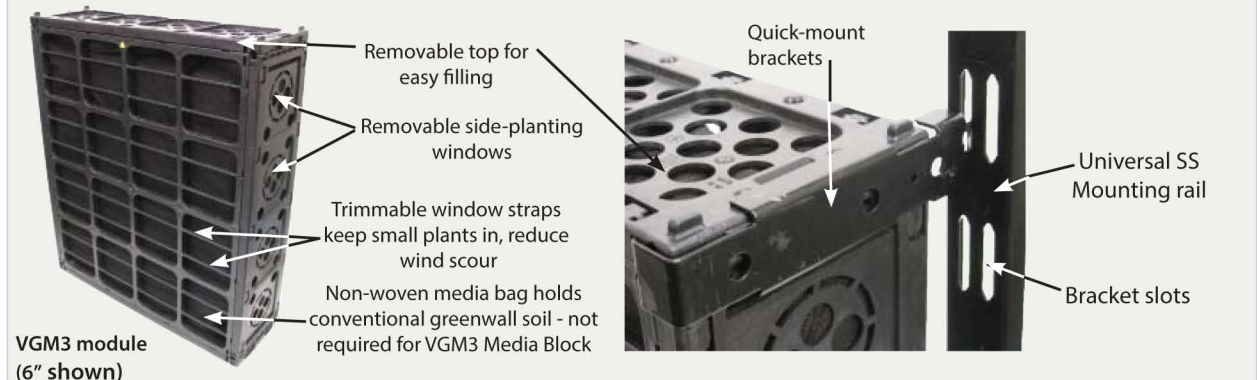
The VGM3<sup>®</sup> is a 100% recycled plastic planting module, attached to stainless steel rails mounted to a wall or structure. Once grown in it provides instant, complete coverage of any vertical surface. A wide, controllable variety of plants can be used in nearly any horticultural condition. Modules are available with an optional stabilized growing media for peak plant performance.

Each planting module is available with a 4" or generous 8" soil profile. Because root growth isn't limited by restricting cells or baffles, plants grow healthier and stronger. Stainless steel hanging brackets need no screws or fasteners, install quickly on planted modules, and allow for removal and maintenance off-site. The rails carry the load, and are mounted to either the wall or a framed sub-structure.



Fashion Valley Mall  
San Diego, CA

- Modular coverage allows for easy, off-site maintenance
- The only system with up to 8" of soil profile
- Optional VGM3 Media Blocks provide optimal performance of the VGM system
- 100% post-consumer recycled plastic and stainless brackets for longevity



ecoarbordesigns.com  
888.335.8453



# ELMICH VGM<sup>®</sup>

*A modular living wall system designed for the life of the building*

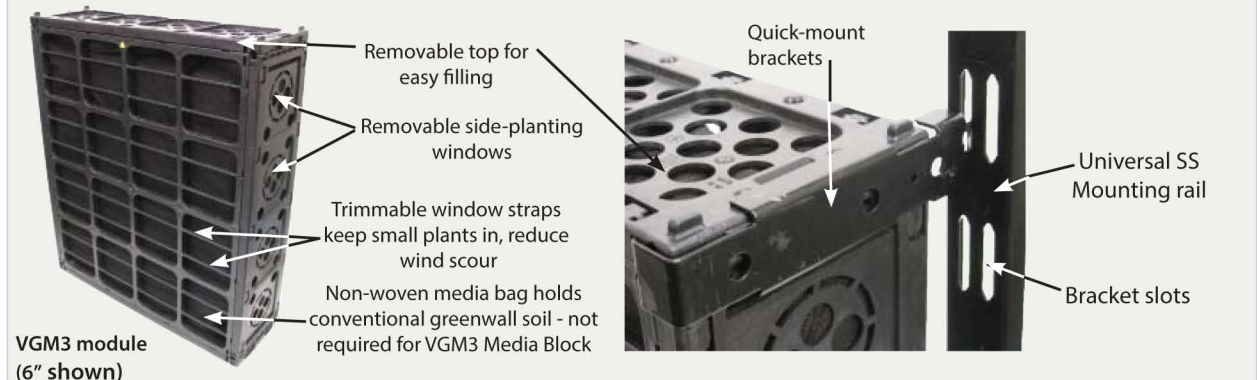
The VGM3<sup>®</sup> is a 100% recycled plastic planting module, attached to stainless steel rails mounted to a wall or structure. Once grown in it provides instant, complete coverage of any vertical surface. A wide, controllable variety of plants can be used in nearly any horticultural condition. Modules are available with an optional stabilized growing media for peak plant performance.

Each planting module is available with a 4" or generous 8" soil profile. Because root growth isn't limited by restricting cells or baffles, plants grow healthier and stronger. Stainless steel hanging brackets need no screws or fasteners, install quickly on planted modules, and allow for removal and maintenance off-site. The rails carry the load, and are mounted to either the wall or a framed sub-structure.



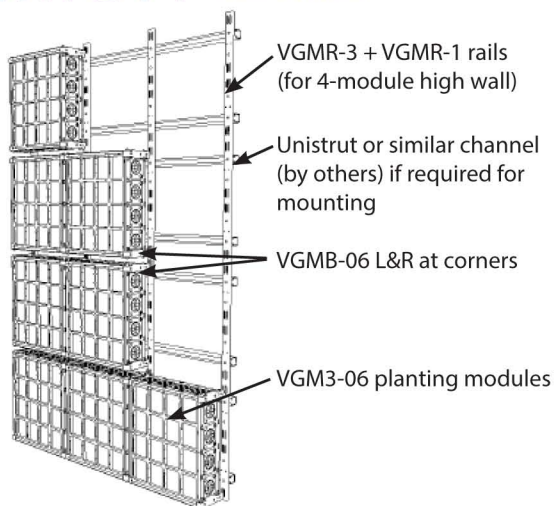
Fashion Valley Mall  
San Diego, CA

- Modular coverage allows for easy, off-site maintenance
- The only system with up to 8" of soil profile
- Optional VGM3 Media Blocks provide optimal performance of the VGM system
- 100% post-consumer recycled plastic and stainless brackets for longevity



ecoarbordesigns.com  
888.335.8453





VGM Modules during grow-in (shown tilted at 45°)

## Specifying VGM®

VGM® is installed with optional VGM3 Media Block (see below), or a lightweight, mostly inorganic planting media. Organic components should comprise no more than 10% of the mix by volume, and the saturated media should weigh no more than 50 lbs/cu. ft. Automatic irrigation with integrated fertilization is highly recommended. Consult with a local horticulturalist for plant choices.

## VGM3 Living Wall Modules

Part No.	Overall Dimensions	Soil Profile	Media Volume	Empty Weight	Full Saturated Weight (w/ VGM Media Block)	Full Sat. Weight (w/ 50 lb/cu ft media)
VGM3-06	19-5/8"W x 22"H x 6"D	4"	0.85 cu. ft.	5 lbs.	37.0 lbs.	47.5 lbs.
VGM3-10	19-5/8"W x 22"H x 10"D	8"	1.63 cu. ft.	7 lbs	70.0 lbs.	88.5 lbs.

## VGM3 Brackets

Part No.	Description	Weight
VGMB-06 L&R	Powder coated SS304 brackets for VGM3-06 module, 2-L & 2-R required per module	6 lbs. (for all 4)
VGMB-10 L&R	Powder coated SS304 brackets for VGM3-10 module, 2-L & 2-R required per module	10 lbs (for all 4)

## VGM3 Rails

Part No.	Description
VGMR-1	SS304 mounting rail to hold 1 module - 1-1/2"W x 5/8"D x 23-1/2"L - use as end or middle rail
VGMR-2	SS304 mounting rail to hold 2 modules - 1-1/2"W x 5/8"D x 47-1/4"L - use as end or middle rail
VGMR-3	SS304 mounting rail to hold 3 modules - 1-1/2"W x 5/8"D x 70-7/8"L - use as end or middle rail





# ELMICH

## VGM3 Media Blocks



### VGM3 Media Block

These stabilized media blocks are engineered to be the perfect complement to the VGM modular living wall system. The organic base material creates a sponge-like block that fits perfectly into a VGM module. The polymer blend eliminates the need for a media bag, holds together in inclement weather, and won't fall out the face of the module.

Each block weighs approx. 3 lbs when dry, holds up to five times its weight in water, yet is still lighter than nearly any other engineered soil mix. The media is designed to provide an optimal balance of moisture and aeration to the roots of the plants, ensuring fast grow-in, consistent irrigation, laterally-developing root systems, and maximum cation exchange rates. Enhanced with several natural biological and disease-preventing additives, the block will support plant growth for years.

### VGM3 Media Block

Part No.	Description	Dimensions	Weight Dry	Weight Saturated
VGM3-MB4	Stabilized media block for VGM modules 2 per VGM3-06, 4 per VGM3-10 module	20.5"L x 9"W x 4"H	3 lbs. ea.	16 lbs. ea.



ecoarbordesigns.com  
888.335.8453