

EcoDeck™

Structural Porcelain Tiles



Enjoy the natural look of wood without the maintenance of wood.

Our “Modular Porcelain” deck tiles offer an eco-friendly exterior flooring solution that is attractive, durable, impact resistant and exceptionally quick and easy to install and remove if needed.

Suitable for both residential and commercial applications, our porcelain deck tiles are ideal for resurfacing existing concrete slabs such as patios, leveling rooftop deck

entertainment areas, standard balconies and terraces. Porcelain Structural tiles are an excellent flooring solution for outside restaurant patios and bars as they are easy to clean and pressure wash.

Spacer tabs over pedestals ensure even spacing and trouble free installation with safe and secure connections to adjacent pavers. With just over 1/8th and as little as 1/16th there is no chance of trip hazard for high heels. This small gap allows full water drainage through the floor and a clean surface.

EcoDeck™ Structural Porcelain Tiles

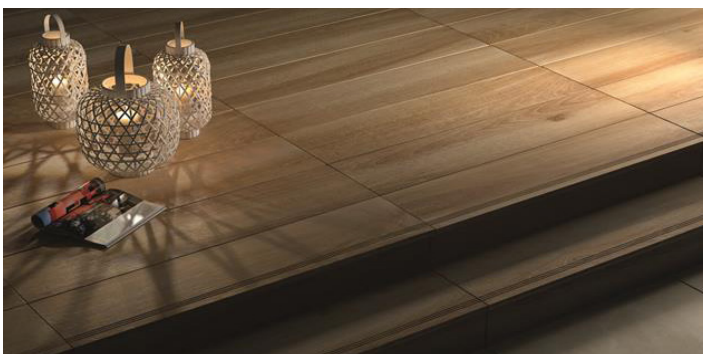
Can be used for:

- Building elegant and refined creative rooftop decking environments
- Urban patios, terraces and rooftop decks.
- Commercial or residential flat rooftop terraces and plazas
- Decks on green roofs or any surface where you don't want a built up deck with limited access. A modular tile system creates easy access to the roof surface
- Residential decks over cracked concrete patios or uneven surfaces
- Decking and landscaped areas on street and curbsides
- Commercial Decks, residential decks and retrofitted decks

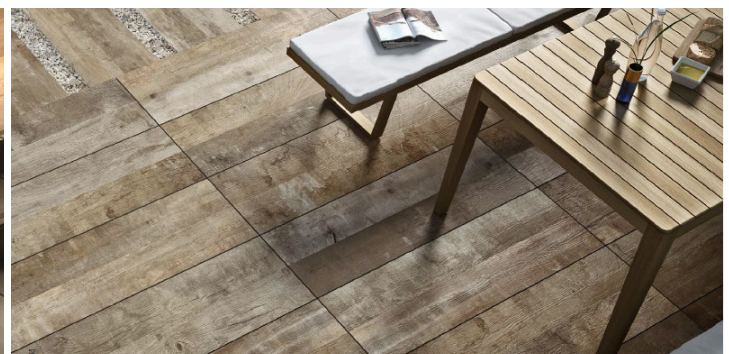
Advantages of EcoDeck™ Structural Porcelain Tiles for raised floors

- Capable of supporting loads up to 1880 lbs
- Durable and hard wearing for high traffic commercial areas, no fading or maintenance
- Fire Proof can be used in localities with strict fire codes
- Slip resistant, stain resistant, and frost resistant suitable for all climates and meets all ASTM requirements
- Dense and non porous resistant to grease oil stains, algae and mold growth
- Half the weight of any similar concrete paver
- There is no maintenance required
- Decking and landscaped areas on streets and curbsides
- Commercial decks, residential decks and retrofitted decks

ECODECK SIMULATED HARDWOOD Porcelain Pavers available in a range of colors



Oak (medium brown)



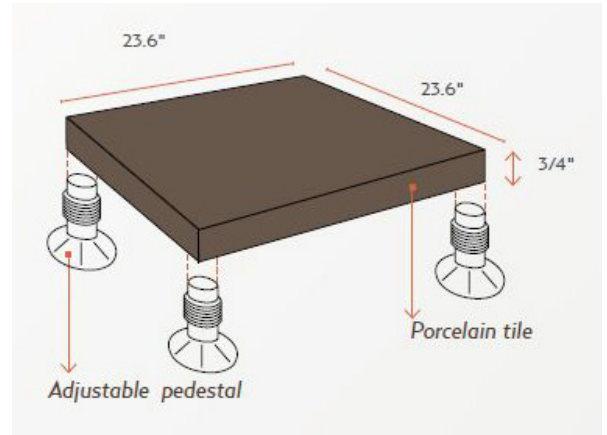
Cinder (gray brown)

EcoDeck™ Porcelain Deck Tiles

A highly versatile flooring product which is lightweight and easy to clean. Porcelain can be power-washed repeatedly without issue as well as cleaned with any cleaning products.

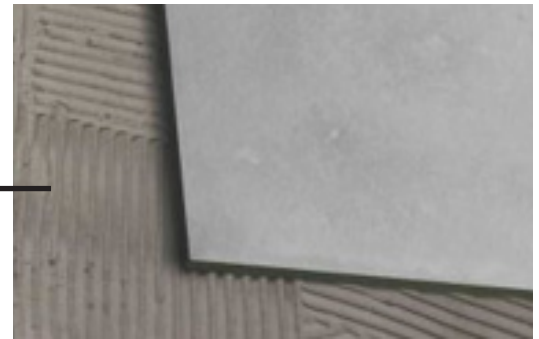
Gapping on edges typically is 1/8th inch allowing water to percolate through but not allow any large leaf debris. This creates a lightweight yet super durable flooring option for any outdoor space. Spacing can be as little as 1/16th between pavers if a more seamless look is desired.

Porcelain 2'x 2' actual size is 23" ½ x 23" ½



Methods of installation of our porcelain paver line

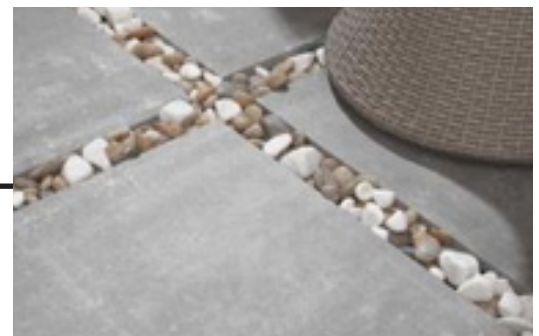
Mortar Bed ←



Raised Floor System ←



Loose Sand/Gravel Bed ←



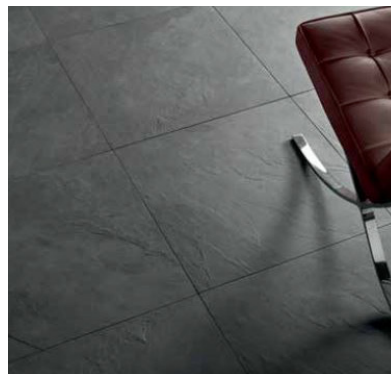
EcoDeck™

Porcelain Deck Tiles Series of colors and styles

Simulated Stone Series made in Italy



Diamante Crema



Slab Gray Slate

Simulated Hand Cast Cement Tile Series



Uffizi Series Grafite
(on membrane roof with gravel substrate)

Basic Simulated Stone Line designed in Spain and made in China



Eikon Series Gea

EcoDeck™

Simulated Stone, Concrete, Quartz & Wood (made in Italy)

Stone Look



Beola Bianca
60x60



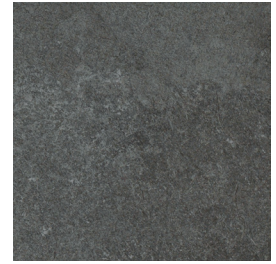
Mist
60x60/30x120



Cave
60x60/30x120



Aeras
60x60/45x90



Graffiti
60x60/45x90



Gea
60x60/45x90



Titanio
60x60/45x90



Sandy White
60x60/75x75



Warm Beige
60x60/60x120/75x75



Urban Grey
60x60/60x120



Trendy Black
60x60/75x75/60x120



Graustein
60x60/45x90/60x120



Pierre Bleue
60x60/75x75



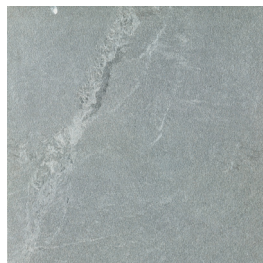
Lava Grey
60x60



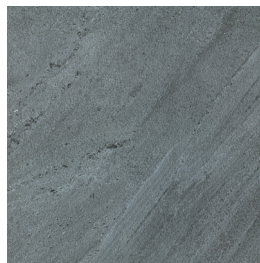
Lava Black
60x60



Faro
60x60/60x120



Versilia
60x60/60x120



Kirkby
60x60/45x90/60x120



Classico Contro
60x60



Silver Contro
60x60

EcoDeck™

Simulated Stone, Concrete, Quartz & Wood (made in Italy)

Concrete Look



Tube
60x60



Rope
60x60



Ground
60x60



Cement
60x60/75x75

Quartz Look



White Quartz
60x60



Silver Grey
60x60/60x120



Golden Stone
60x60/60x120

Wood Look



Rovere
60x60/30x120



Cinder
60x60/30x120



Oak
60x60/30x120



Noce
60x60/30x120

EcoDeck™

Simulated Stone, Wood & Quartz (made in Italy)

Ceramiche Caesar Color Chart

Wood Look



Oak
60x60



Noce
60x60



Moro
60x60

Stone Look



Sandy White
60x60



Warm Beige
60x60

Stone Look



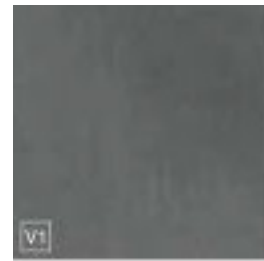
Urban Grey
60x60/60x120/75x75



Beola Bianca
60x60



Pierre Bleue
60x60/75x75



Trendy Black
60x60/60x120/75x75



Graustein
60x60/60x120/75x75

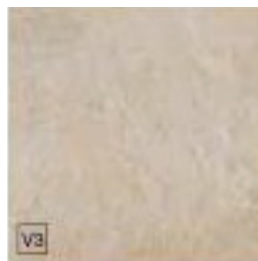
Quartz Look



White Quartz
60x60



Silver Gray
60x60/60x120/75x75



Golden Stone
60x60/60x120/75x75

EcoDeck™

Simulated Stone Series (made in Italy)

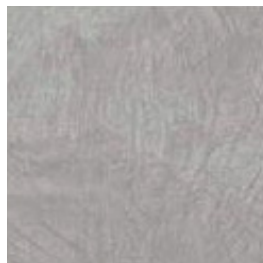
Refin Color Chart for Simulated Stone

Slate / Granite series

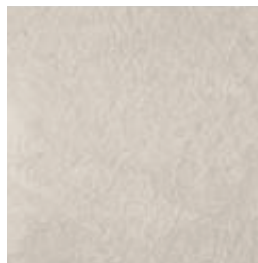
Artwork



Greige
60x60 (24"x24")

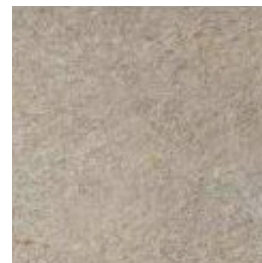


Grigio
60x60 (24"x24")



Cenere
60x60 (24"x24")

Pangea Barge



Barge Grigio
60x60 (24"x24")

Bluetech



Vintage Plain
75x75 (30"x30")
60x60 (24"x24")
45x90 (18"x36")

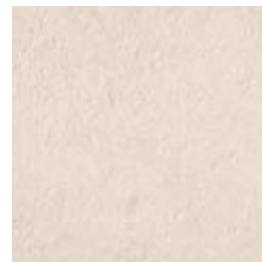


Vintage Plain
75x75 (30"x30")
60x60 (24"x24")
45x90 (18"x36")

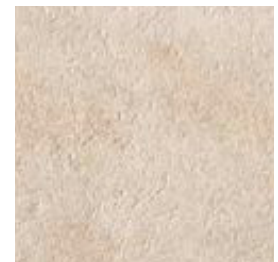


Vintage Charbon
75x75 (30"x30")
60x60 (24"x24")
45x90 (18"x36")

Pietre di Borgogna



Diamante
75x75 (30"x30")
60x60 (24"x24")



Sabbia
75x75 (30"x30")
60x60 (24"x24")

Graniti



Bethel White
60x60 (24"x24")



Brixina Grey
75x75 (30"x30")
60x60 (24"x24")

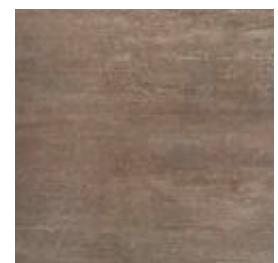


Nero Africa
60x60 (24"x24")

Wood²



Dust
75x75 (30"x30")
60x60 (24"x24")



Tabacco
60x60 (24"x24")

EcoDeck™

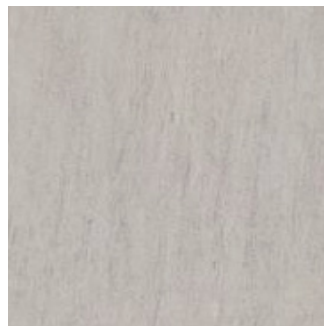
Basic Simulated Stone Line (designed in Italy made in China)

All tiles are 24" x 24"

9lbs. per sq. ft.



Crème



Soft Gray



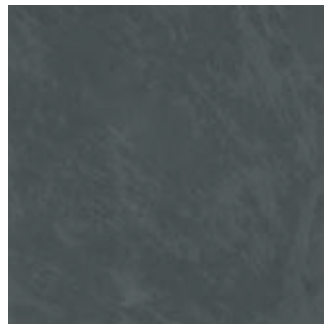
Granite Gray



Soft Granite Gray



Series Durban Slate



Series Durban Slate



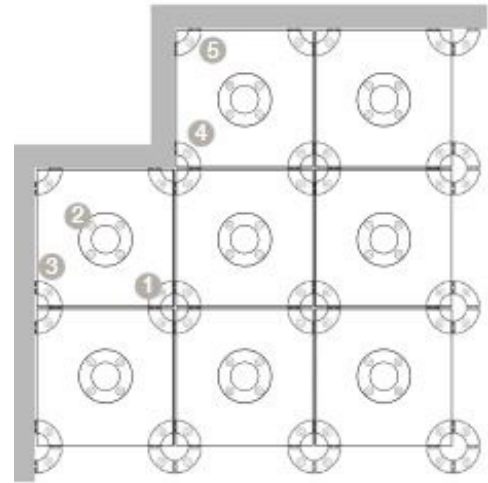
SandStone FIJI White



Sandstone Kauai Tan

EcoDeck™ Paver Installation

EcoDeck™ Porcelain Deck Tiles are ideal for applications where the look of wood or stone is preferred, but where low maintenance and consistent appearance year after year is essential. Porcelain Tiles are 100% non-combustible and can be used for commercial applications that require a zero flame spread rated material. Our porcelain deck tiles will install easily and quickly over the pedestal systems below. This system creates an easy access to the underlayment to access drains, run conduit or electrical for events, or irrigation lines. **EcoDeck™ Porcelain Deck Tiles** are compatible with most pedestal systems.



Pedestal Layout

ECO STONE or **WOOD Porcelain Deck** tiles can be installed on grade or raised on pedestal supports. A simple sand bed over DG application is best suited for on grade applications. Pedestal supports are best suited for uneven roof decks and patios where you need to level the surface. For commercial high traffic applications we recommend a center support or our customized tile with fiberglass mesh backing which is adhered to the back of the tile from the factory for anti-shatter resistance



Set pedestals and tiles on top, adjusting each pedestal



Center pedestal for support



Level each tile to adjacent

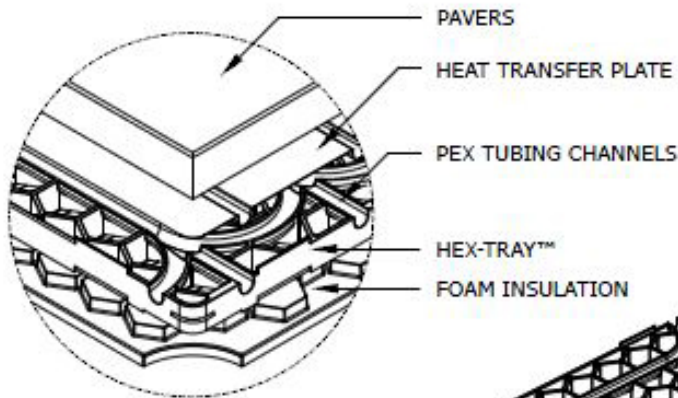


Turn to adjust pedestal to final height

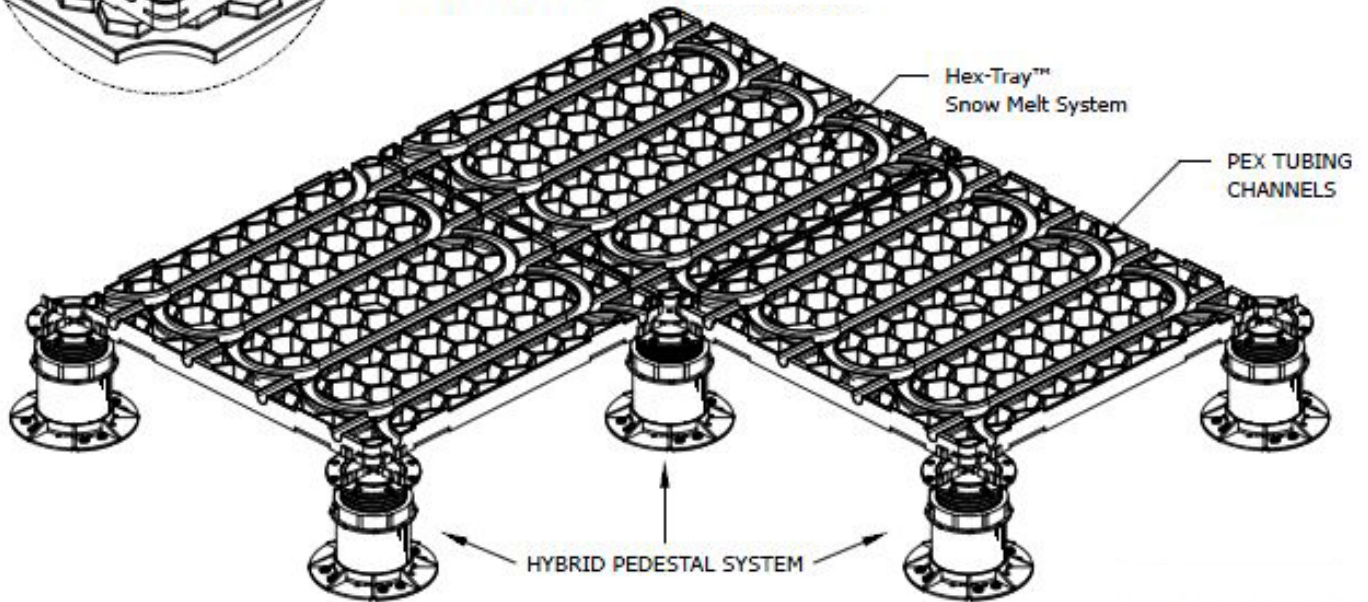
EcoDeck™

Deck Tile support system

Systems details, plan and profile view

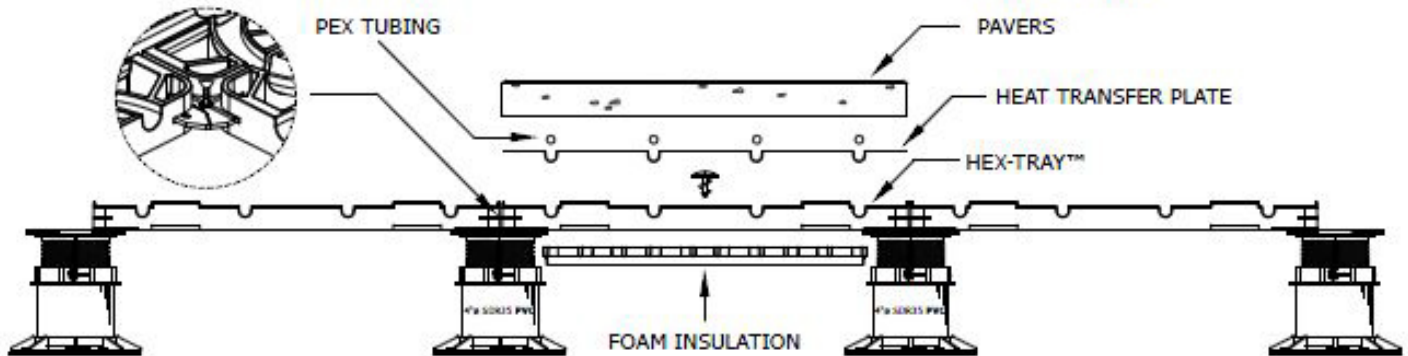


Tray system can be used with or without snow melt capabilities. Trays can be used without for simple support for elevated raised floors. Trays can also be used with any pedestal system.



Patent Pending

- PROFILE VIEW



GENERAL NOTES: APPLY TO ALL OF THE ABOVE PRODUCTS

1. INSTALLATION MUST BE COMPLETED IN ACCORDANCE WITH PAVERS PRODUCT SPECIFICATIONS.
2. DRAWING NOT TO SCALE.
3. USE OF BUFFER PADS IS MANDATORY.
4. CONTRACTOR'S NOTE: FOR PRODUCT AND COMPANY INFORMATION VISIT www.ecoarbordesigns.com

Versijack®

Telescoping Paver and Deck Supports by Elmich



Versijack® and **SpiraPave®** is a heavy duty adjustable lightweight telescopic pedestal with an integrated slope corrector manufactured from 100% recycled or clear virgin plastics. It is used to support pavers of any sort, beams and bearers in the construction of roof terraces, pedestrian walkways, roof gardens and platforms. Pedestals are adjustable in height from 3" - 6" inches in height native. The height may be increased to 48 inches using proprietary extenders and locking nuts to ensure maximum stability.

Pedestals reduces sound transmission and increases heat insulation. Unsightly services may be concealed within the cavity under the elevated platform, allowing easy access when required.

Pedestals can be used with all of our structural pavers including porcelain tiles, hardwood tiles Stone deck tiles, or standard precast concrete pavers. Pedestals can also be used to support built in benches and planters. A hollow internal core allows additional ballast such as cement infill to be used when required.

SpiraPave®

Low Profile ladder adjustable Decking Support

Height flexibility

- height range .66 inch to 3.42 inches
- height range increased by adding Extenders or you can use high density foam blocks or composite boards to increase height
- easy and accurate height adjustments in .039 inch increments

Slope correction by top slope corrector addition

Strength unmatched compressive strength made possible by a 'step up or step down' design MAX compressive Load~ 25Kn

Security can be secured to the supporting surface and locked at chosen height eliminating settling issues with competitive products

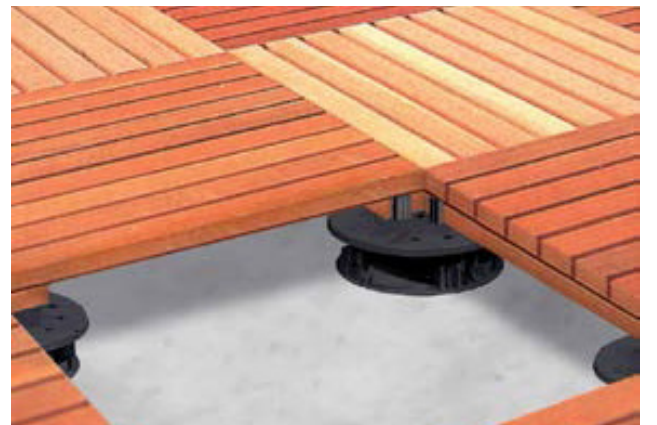
Environmentally sustainable manufactured from recycled plastics



SpiraPave® is a new generation pedestal consisting of separate components paired to create pedestals of different heights, each capable of stepping up or down for fine tuning height adjustments.

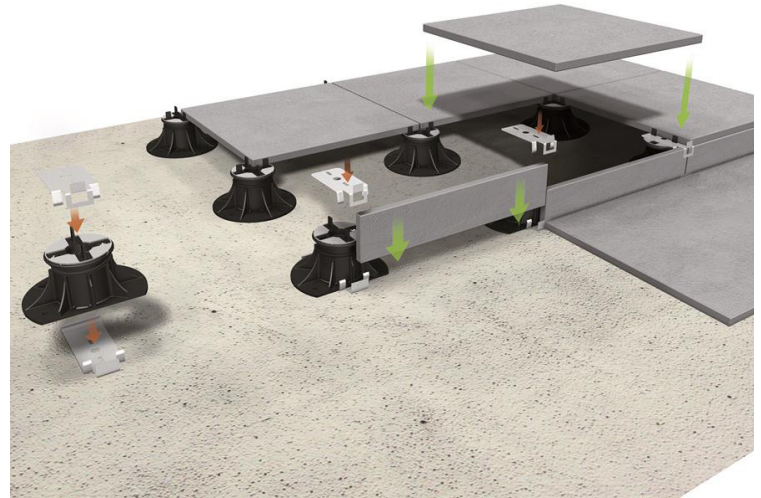
SpiraPave® minimum height of 12 mm makes it ideal for installations where conventional height-adjustable pedestals are generally too high or cumbersome

SpiraPave® has a slope corrector which may be placed on the top or bottom of the pedestal for fall compensation of up to 5%.



Emlich Pedestal Specifications

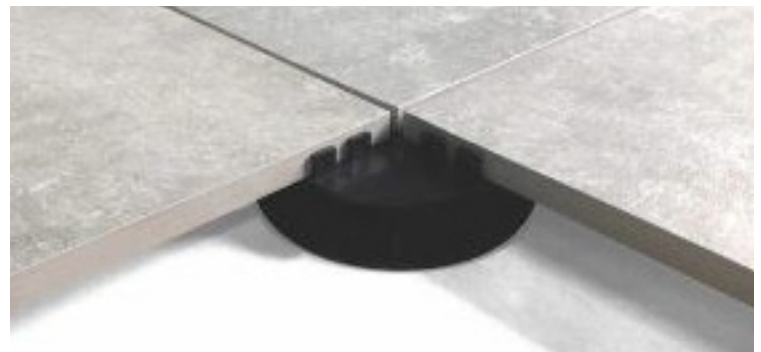
Height Range	.5" to 40"
Color	Black
Dimensions	Head diameter 6.3" Base diameter 8.1" Extender Height 3"
Compressive Strength	> 3527.4 lbs.
Slove Compensation	5.94" onwards with Extenders, - 4.4" per extender <i>1 additional heights possible with bracing system 0% to 5% @ 1% increments</i>
Weight	VersiJack® 75 ~ 1.54 lb. per unit
Service Temperature	-20°C to 120°C Unaffected by molds and algae and good resistance to alkali and bitumen
Material	Polypropylene Extender ~ 300 grams per extender <i>VJ Bearer Holder For 50mm to 75mm width 2 compression strength varies with different heights.</i>



Emlich Pedestal Specifications

- Use sight or laser lines to mark the intersections of the corners of each paver to be laid.
- Position Pedestal. Adjust the 0% to 5% slope corrector to compensate for any fall in the surface.
- If necessary, saw along marked score lines on the base so that the units may be positioned along wall edges or in corners.
- Position the first paver in a corner and subsequent pavers along a wall edge.
- Place pavers on pedestals and simply adjust either up or down to obtain level required. Use rubber shims on top, if required it micro adjust, to ensure that the pavers corners are level
- Place each tile over the pedestals starting with your first complete tile in the corner, adjust pedestal as necessary until level

Slope Corrector	Shims	Fixed height spacers
 <p>0-5%</p>		
<p>Slope correctors provide compensation of up to 5% on sloping surfaces and ensure pedestals remain fully upright.</p>	<p>Slip resistant EPDM shims compensate for any slight differences in paver thickness and also provide a degree of shock and sound absorption.</p>	<p>Low rise spacers 1/2"-3/4" high, placed under the edge of the pavers, compensate for slight irregularities when pavers are laid directly over concrete.</p>



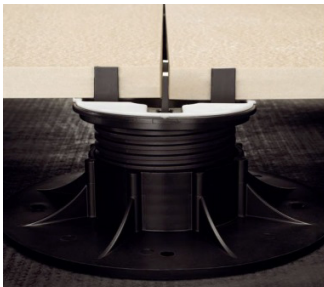
VersiJack® Height Chart



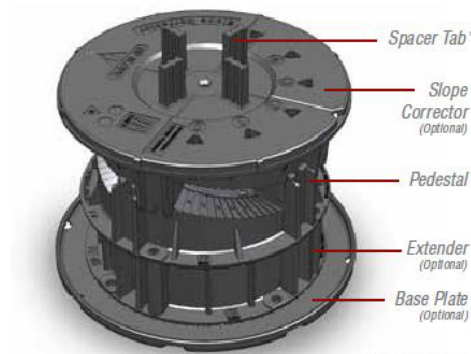
Types of Raised floors we offer depending on requirements or type of subfloor



Fixed Height raised floor

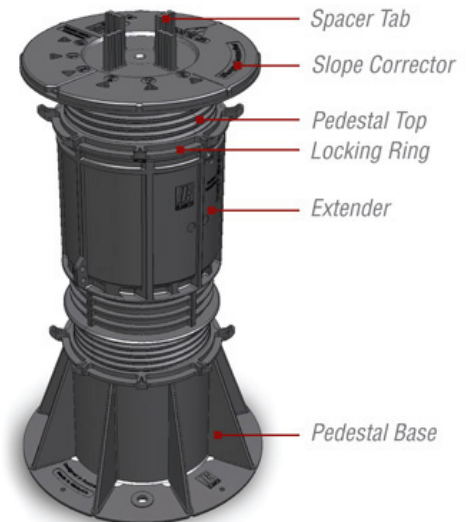


Adjustable Leveled Floor



* or Bearer Holder

SpiraPave® Pedestal Model ESP 6



VersaJack® Model EVJ-0 with extender

Eco Arbor Designs Deck Tile / Pedestal Sheet

EAD Deck Tile Spec Sheet A.

General Deck Pedestals and Tile Information

1.1 Summary

A. This Section includes the following:

1. Unit paving on adjustable pedestals installed on sloped roof decks, patios or any sloped outdoor area requiring Elmich pedestal supports.
2. Monolithic, reinforced rubberized asphalt membrane and associated protection course, flashings, extruded polystyrene insulation, and drainage course.

1.2 Submittals

- A. Submit in accordance with Division 01 Section "Submittal Procedures."
- B. Product Data for each type of product and material used can be supplied as well as full take off service for number of pedestals.
- C. Shop drawings: Indicate perimeter conditions, relationship to adjoining materials and assemblies, joint layout, installation and details.
- D. Certification: From an approved independent testing laboratory experienced in testing this type material, that the material meets the CGSB-37.50-M89 standard for rubberized asphalt membranes, including applicable ASTM procedures.
- E. Samples for wood tiles, 2cm porcelain tiles, and Stonedeck tiles and pedestals, and accessories:
1. Submit three (4) representative samples of each wood tile. Select samples to indicate full range of color and texture expected in the finished installation.
 2. Accepted samples become the standard of acceptance for the work in this Section.
- F. Warranty: Sample of warranty specified in this Section, each product carries a slightly different warranty based on type of material.

1.3 Quality Assurance for installation

A. Installer Qualifications:

1. The deck support system installer must have a minimum of two (2-4) years proven construction experience, be capable of estimating and building from blueprint plans and details, determine elevations, and properly handle and deliver materials. All Work must comply with the EAD installation application procedures for deck support work specified herein.

B. Special Considerations:

1. The contractor assumes the responsibility for and must take into consideration the structural capability and adequacy of the structure to carry the dead and live load weight(s) involved, and that the density of any insulation is satisfactory to resist crushing and damaging the waterproofing membrane.

C. Mockups:

1. Install a 4 ft x 4 ft area, include full range of colors and textures, borders, and designs.
2. Use this area to determine pedestal height and shimming requirements, and joint sizes.
3. Mock-up will be used as the standard by which the work will be evaluated.
4. Subject to acceptance by owner, mock-up may be retained as part of finished work.

Eco Arbor Designs Deck Tile / Pedestal Sheet

EAD Deck Tile Spec Sheet A.

General Deck Pedestals and Tile Information

1.4 Delivery, Storage, And Handling by EAD and customer

- A. Comply with Division 01 Section “Product Requirements.”
- B. Comply with manufacturer’s ordering instructions and lead-time requirements to avoid construction delays.
- C. Deliver materials in manufacturer’s original, unopened, undamaged containers packaging with identification labels intact.
 - 1. Coordinate delivery and paving schedule to minimize interference with normal use of building adjacent to paving.
 - 2. Deliver wood tiles to the site in steel banded, plastic banded or plastic wrapped packaging capable of transfer by forklift or clamp lift.
 - 3. Unload wood tiles at job site in such a manner that no damage occurs to the product.
- D. Protect stored materials from mud, dirt, and other foreign materials.
 - 1. Store cleaners and sealers in accordance with manufacturer’s instructions for storage of said product.

1.5 Project Environment

- A. There are no pedestal installation temperature restriction guidelines other than the practical considerations of working in any unsafe condition or inclement weather.
 - 1. Do not install membrane when the ambient temperature is below 0°F.
 - 2. Do not allow petroleum, grease, oil, solvents, vegetable or mineral oil, animal fat, etc. to come in contact with the waterproofing membrane, this includes deck tile sealers.
- B. Deck supports specified are to be for used with pedestrian traffic only.

- C. Pedestrian decks must be restrained by perimeter blocking or walls on all sides. Lateral movement greater than 1/8” is unacceptable and will be rejected.
- D. Heavy Roof Top Features. Flat bottom features such as planters, heavy benches, water features, hot tubs, etc. always require individual support that is in addition to the deck pedestal system.
 - 1. A minimum of one additional pedestal support must be installed for every 500 lbs. (or portion thereof) of static loading. These additional support pedestals must be installed directly under the decking and evenly spaced immediately below the feature locations. One additional pedestal must be placed under corner of any rectangular feature. In addition we would recommend an additional pedestal be placed in the center for any 2cm porcelain deck tile
- E. All decks shall be designed to not exceed the design capacity of the pedestal.
- F. The substrate immediately below the pedestals shall provide positive drainage.
- G. In the case of decks over roofing substrates, roof systems must meet local building code and be in accordance with the NRCA recommended good construction practices. Only roofing manufacturer approved systems shall be used.
- H. Decks over roofing and waterproofing:
 - 1) Elmich Pedestal Installation: Elmich pedestals must be installed on surfaces with a minimum 40 psi bearing capacity.
 - 2) Installation: Elmich pedestals must be supported by a surface that provides a minimum 30 psi bearing capacity.

Eco Arbor Designs Deck Tile / Pedestal Sheet

EAD Deck Tile Spec Sheet A.

General Deck Pedestals and Tile Information

1.6 Warranty EAD ECO DECK Tiles and Elmich Pedestals

- A. At project closeout and upon request, EAD can provide to the Owner or Owners Representative, an executed copy of the manufacturer's standard document outlining the terms, conditions and limitations of their limited warranty against manufacturing defect for a period of three (5) years.
- B. It is the responsibility of the Contractor installing the product listed in this section to coordinate warranty requirements with any related sections or adjacent Work. Notify the Architect immediately of any potential lapses or limitations in warranty coverage.
- C. For use with pedestrian traffic only – Never use Elmich pedestals to support decks that have wheeled, motorized or equipment traffic.
- D. Decks should be restrained on all sides and not have lateral movement in excess of 1/8".
- E. Warrant that Work of this Section will remain free from defects in labor and materials used in accordance with Division 01 General Conditions of this project for five years from the date of Substantial Completion.

2.1 ECO ARBOR DESIGNS STRUCTURAL ECO DECK TILE

Manufacturer /Importer: Eco Arbor Designs Inc 2525 San Clemente Ave Suite A, Vista, CA 92084 ph: 888 359 4435, fax: 831 515 5054, email info@ecoarbordesigns.com web www.ecoarbordesigns.com

Applications/Scope

- A. Furnish and install a complete adjustable deck support system with a maximum cavity height of up to:
 - 1. Versajack Pedestals maximum cavity height 22 inches (610 mm).
 - 2. Versajack Pedestals with Elmich extender system

for excess height installations in the range of 1.5-40 inches.

- 3. Deck supports are not designed for supporting decks that carry vehicular traffic or equipment including but not limited to snow removal equipment, ATV's, forklifts, or any motorized vehicles.
- B. Consult EAD and the Project Engineer regarding the following:
 - 1. When spacer tab condition or design requires spacing between decking tiles or concrete pavers other than the standard spacing required by the manufacturer. Spacers are available in 4mm and 6mm gauge.
 - 2. When considering use for other than a raised decks (e.g. interior floors, stairs, etc.).
 - 3. When the required pedestal height exceeds the safe limits as determined by the Manufacturer.
 - 4. When pedestal load capacity exceeds the maximum listed.
 - 5. When anticipating installation of any items with excess weight on top of the deck.
- C. Installation of EAD ECO DECK Tiles (IE: Ipe deck tiles, 2cm porcelain and stonedeck tiles)

3.1 Examination

- A. Verify that all surfaces, membrane(s), protection board, insulation, drains, are free from dirt, oil, grease or any deleterious substances and debris which may prevent installation, drainage, and stability of the paving slab installation.
- B. Verify that roof deck has at least 1-1/2 percent but no more than 2 percent slope to drains.
- C. Do not begin paving work until such conditions have been corrected and are ready to receive leveling materials.

Eco Arbor Designs Deck Tile / Pedestal Sheet

EAD Deck Tile Spec Sheet A.

General Deck Pedestals and Tile Information

3.2 Preparation

- A. Establish accurate lines, levels and pattern.
- B. The substrate surface that will receive the deck supports must be well compacted (on grade) and structurally capable of carrying the dead and live loads anticipated.
- C. The substrate must be clean and free of projections and debris that could impair the performance of the pedestals or the total deck system.
- D. Decks over roofing and waterproofing
- E. Decks on Grade: verify that installation conforms to section 1.7I of this specification.
- F. Installation requirements vary for each individual project site. Deck materials used, pattern, grid layout, starting point, and finished elevation should be shown on plan view shop drawings which have been prepared and approved by the designer, installing contractor and/or owner.
- G. Once a starting point and the finished elevation of the deck surface have been determined, the support system elevation (finished elevation minus deck material thickness) is established and marked around the perimeter using a transit "torpedo" water level or laser leveling device.

3.3 Installation of pedestals and surface deck tiles, EAD ECO DECK, 2cm Porcelain or Stonedek

- A. Install in accordance with manufacturer's instructions.
- B. If required, place a 1 or 2mm rubber shim where each pedestal is to be laid out to cushion the base against the waterproof surface.
- C. Next, a deck support must be placed where each measured grid line meets the perimeter. Remove two (2) spacer tabs in line with one another on top of each deck support placed around the perimeter. Remove all four (4) spacer tabs at corners. Any combination of this can be achieved to space the tiles where less than 4 spacer tabs are needed.
- D. Adjust each deck support to the desired height required, fine tuning can be done once the surface material of EAD ECO DECK wood tiles , 2CM porcelain deck tiles or Stonedek tiles are laid on top.
- E. On larger decks, it is recommended that pedestals be pre-sorted and pre-set to the proper elevation and placed in position prior to the installation of pavers or tiles. This is called the layout.
- F. As the deck supports located along the grid lines are loaded with pavers or tiles, fine vertical adjustment can be made by rotating the base or bottom of the deck support. Clockwise rotation of the pedestal base will raise the bearing surface and the deck. Counter-clockwise rotation will lower the top bearing surface.
- G. Elmich pedestals have built in height limit indicator. When pedestal is fully extended, height limit indicator can be felt with the hand, indicating the maximum height of the pedestal. Do not extend pedestal beyond the height limit indicators. Do not exceed maximum height listed on pedestal; use the next size pedestal in the series. Never over extend any pedestal.
- H. Slight irregularities in decking panel thickness can be compensated for by using one to two mm rubber shim segments. Place on top of the pedestal, under the corner(s) of the decking tile or paver. Use no more than two (2) shims on top of the pedestal and always adhere 1/4 wedges with construction adhesive.
- I. Spriapave and Versajack Series Slope Compensation:
 - 1. The ESP and Versajack Series has integrated leveler disks that compensate for up to 5% grade in 1% increments. Additional slope compensation can be added by placing a bottom slope correct in addition to the top slope corrector.

Eco Arbor Designs Deck Tile / Pedestal Sheet

EAD Deck Tile Spec Sheet A.

General Deck Pedestals and Tile Information

2. Shims may be used in multiples, whole or segmented, and placed under the base to level the deck support.
3. Under a pedestal: All shims under a pedestal must be adhered to each other or the pedestal (NOT to the roofing membrane) with construction adhesive. Shim no more than 1 and 2mm beneath each pedestal. The use of Jiffy Seal double sided adhesive rubber flashing paper in 1mm thickness can be very useful for a floating base layer between pedestal and roofing membrane or similar surface
4. On top of a pedestal: Use no more than 4 rubber shims.

3.4 Deck Support Placement And Final Adjustment

- A. Deck supports and the deck surface panels must be placed as the manufacturer directs in these written instructions. Use of labor saving devices, such as paver lifters and pedestal turning keys is recommended
- B. Pedestals are designed to be rotated for final slight adjustment when pedestals are fully loaded. Deck supports should be leveled in each succeeding row as the installation proceeds. Final height adjustment or maintenance is easily made by simply rotating the base in a clockwise or counter-clockwise direction to raise or lower the deck surface material.
- C. Additional sections of shims may be used and should be available for regular maintenance. Shims may be used in multiples or placed under the base or on top the pedestal to level the deck support.
- D. On top of pedestal: Use construction adhesive to use adhesive for sections of shims. Construction adhesive is not required when using whole shims on top of a pedestal.
- E. Beneath a pedestal: Use a small amount of construction adhesive for adhesion of sections of shims and/or whole shims to each other or to the pedestal. Unless specified to do so, DO NOT use construction adhesive for pedestal or shims to insulation, roofing or waterproofing membrane.

3.5 Any area of a deck that is not restrained by a parapet or foundation wall must be 'boxed-in' and contained. The deck panels will move if all sides are not adequately restrained. Perimeter containment located at the outside of the deck must be installed to provide restraint. No movement should be allowed at the perimeter of the deck system greater than 1/8"

3.6 Field Quality Control

- A. Inspect often during installation to assure that grid spacer lines are being maintained in a straight and consistent pattern and that deck panels or pavers are level and not rocking.
- B. Confirm that deck pedestal height does not exceed the specified height for the Versajack Series:
- C. 40 inches maximum pedestal height.
- D. Unless otherwise specified in writing to allow for expansion, inspect to assure that all paver spacing between tiles and at perimeter containment does not exceed a 1/8" . Particular attention should be made to assure that all pedestrian entry or access points to the deck are level and that the deck surface tiles are not randomly raised or uneven creating a hazard.

Eco Arbor Designs Deck Tile / Pedestal Sheet

EAD Deck Tile Spec Sheet A.

General Deck Pedestals and Wood Tiles Information

3.7 Protection

Protect installed products until completion of project, we usually recommend EAD ECO DECK tiles are installed post paint and staining of other materials in the area.

3.8 Immediately Following Installation

- A. The Owner, or the Owner's Agent, shall carefully inspect the deck system to be positive that:
1. There are no shakes or wobbling of tiles, that each tile is supported properly.
 2. There is no more than 1/16th to 1/8th " spacing between any deck panels and at all sides of the deck perimeter.
 3. There is no ballasting rock used to fill in any perimeter voids.
 4. There is no 'rocking' of deck panels as foot traffic is applied to the surface decking.
 5. All required spacer tabs are in place and visible.

3.9 Routine Maintenance And Care

- A. Installer and/or Architect has a duty to instruct the deck owner about performing routine maintenance of the deck. Check for rocking pavers and adjust or shim immediately. Substrates can settle and pedestals may have to be readjusted. Failure to do so can cause a tripping hazard. Periodically check spacer tabs and immediately replace broken tabs to limit deck movement. Make sure the edge restraint stays intact and structurally sound.



ECO ARBOR DESIGNS Innovators of modular roof decking and flooring. We have been manufacturing and importing some of the finest raised floor systems in the world since 2005

Corp office:

Eco Arbor Designs
2525 San Clemente Ave,
Vista CA, 92084

Toll Free 888 335 8453

Direct Northern California 831 359 4435

Direct Southern California 858 914 2423

Fax 831 515 5054

VISIT US ONLINE AT www.ecoarbordesigns.com

EMAIL US AT info@ecoarbordesigns.com

Warehouse and distribution centers

ECO ARBOR DESIGNS WEST COAST

JSI Logistics

17246 S. Main Street
Carson, CA 90248

ECO ARBOR DESIGNS EAST COAST

The Gilbert Company

1000 Riverside Drive
Keasbey, NJ 08832

SDS Global Logistics

21 Spring Street
West Orange, NJ 07052